

Two-hole mixer with individual rosettes

32 800 790



- 235 mm projection
- pivotable spout 360°
- spout, end-piece with 20° rotation
- air-enriched flow
- height of mixer 337 mm
- height up to aerator 297 mm
- individual rosettes Ø 55mm
- hole diameter spout 35 mm
- single-lever mixer hole diameter 35 mm
- max. flow 8 l/min at 3 bar flow pressure
- lead-free
- This product can help a building to meet requirements of Green Building Rating Systems, e.g. LEED®, BREEAM®, DGNB

Operating unit can be positioned freely.

	Platinum	32 800 790-08
	Chrome	32 800 790-00
	Brushed Platinum	32 800 790-06
	Dark Chrome	32 800 790-19
	Brushed Durabronze (23kt Gold)	32 800 790-28
	Brushed Champagne (22kt Gold)	32 800 790-46
	Champagne (22kt Gold)	32 800 790-47
	Brushed Chrome	32 800 790-93
	Brushed Dark Platinum	32 800 790-99

Recommended miscellaneous

Strainer waste with control handle 10 710 970-08



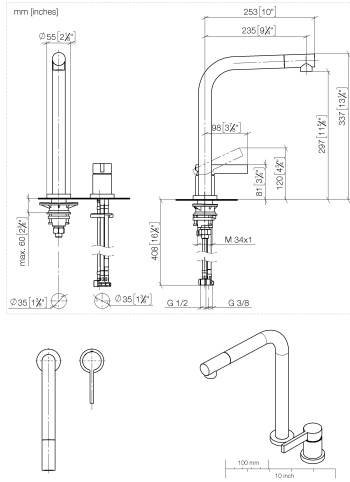
Recommended miscellaneous

Dispenser with rosette 82 444 970-08

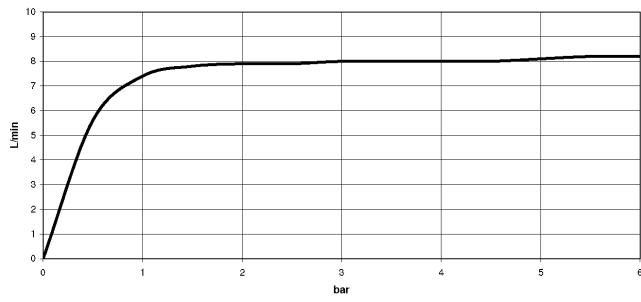


Two-hole mixer with individual rosettes

32 800 790



Flow rate chart



Two-hole mixer with individual rosettes

32 800 790

Parts for other finishes can be found here: [Chrome](#)

